



G125K-LE260
Rechargeable
Liquid Cooling Li-ion
Battery Storage System

Smaller Footprint

Higher energy density benefit from latest LFP technology

Expandable

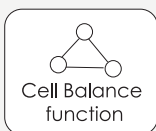
Module design
 Support max 10sets in parallel

Monitor

Real-time monitoring of battery charging and discharging, online system updates and maintenance

Fire fighting

Lithium Iron Phosphate (LFP) Battery, The battery pack and system adopt an aerosol fire extinguishing solution



Technical Data

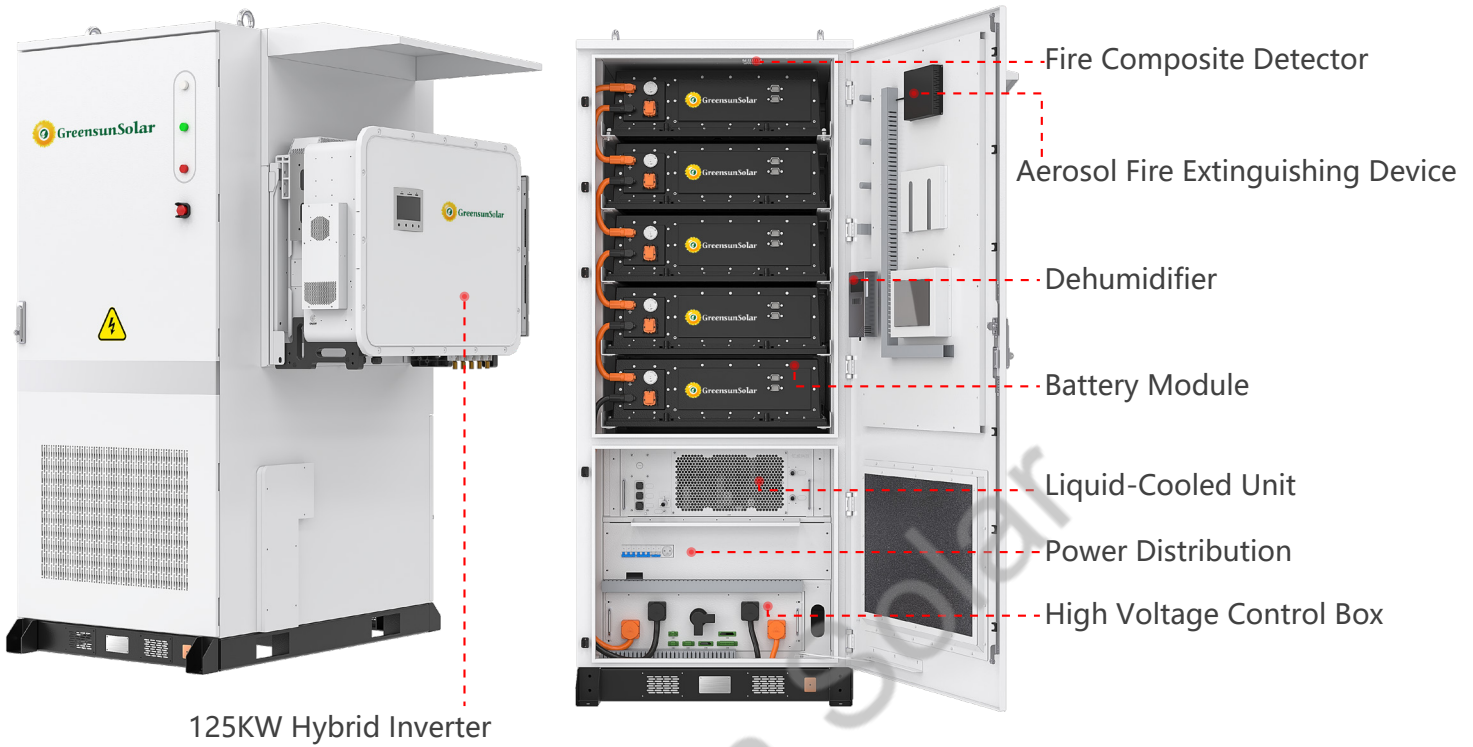
Model		G125K-LE260	
Inverter Side(On/Off grid mode)			
Input DC (PV side)	Recommended max. PV array size	125KW	250KW
	Max. usable PV input power	250KW	250KW
	Max. input voltage	1000V	1000V
	Rated voltage	600V	600V
	Start-up voltage	180V	180V
	MPPT voltage range	150-950V	150-950V
	Max. input current	10 × 42 A	10 × 42 A
	Max. short circuit current	10 × 42 A	10 × 42 A
	MPPT number / Max. input strings number	10 / 20	10 / 20
Battery	Battery type	Li-ion	Li-ion
	Battery voltage range	300 - 950 V	300 - 950 V
	Max. charge / discharge current	100 A × 2 / 100 A × 2	100 A × 2 / 100 A × 2
	Number of battery ports	2	2
	Max. charge / discharge current of each port	100 A	100 A
	Communication	CAN / RS485	CAN / RS485
Output AC (Back-up)	Rated output power	125 kW	125 kW
	Max. apparent output power	125K:1.4 times of rated power, 10 s; 1.6 times of rated power, 200 ms	
	Back-up switch time	< 10 ms	
	Rated output voltage	3/N/PE, 220 V / 380 V; 3/N/PE, 230 V / 400 V	
	Rated frequency	50 Hz / 60 Hz	
Input AC (Grid side)	THDv (@linear load)	< 3%	
	Max. input current	250 A	
Input AC (Generator)	Max. input power	125 kW	
	Rated input current	189.9 A / 180.4 A	
	Rated input voltage	3/N/PE, 220 V / 380 V; 3/N/PE, 230 V / 400 V	
	Rated input frequency	50 Hz / 60 Hz	
Output AC (Grid side)	Rated output power	125 kW	
	Rated grid voltage	3/N/PE, 220 V / 380 V; 3/N/PE, 230 V / 400 V	
	Rated grid frequency	50 Hz / 60 Hz	
	Rated grid output current	189.9 A / 180.4 A	
	Power factor	> 0.99 (0.8 leading - 0.8 lagging)	
	THDi	< 3%	
	Efficiency	Max. efficiency	97.5%
EU efficiency		97.2%	
BAT charged / discharged to AC max. efficiency		97.0%	
Protection	Anti-islanding protection	Yes	
	Output over current protection	Yes	
	Short circuit protection	Yes	
	Integrated DC switch	Yes	
	DC reverse-polarity protection	Yes	
	Protection class / Over voltage category	I/ DC II, AC III	
	Surge protection	DC Type II / AC Type II	
	Integrated AFCI 2.0	Optional (Brazil: Yes)	
General Data	Dimensions (W × H × D)	1174 × 814 × 400 mm	
	Weight	170 kg	
	Topology	Transformerless	
	Operating ambient temperature range	-25 ~ +60°C	
	Relative humidity	0 - 100%	
	Ingress protection	IP66	
	Cooling concept	Intelligent redundant fan-cooling	
	Max. operation altitude	3000 m	
	Grid connection standard	G99, VDE-AR-N 4105/VDE V 0124, EN 50549-1&2/EN 50549-10, VDE 0126/UTE C 15/VFR:2019, NTS 631/RD 1699/RD 244/ UNE 206006/UNE 206007-1, CEI 0-21, C10/11, NRS 097-2-1, TOR, EIFS 2018.2, IEC 62116, IEC 61727, IEC 60068, IEC 61683, EN 50530, MEA, PEA, PORTARIA N° 140, DE 21 DE MARÇO DE 2022. Brazil (125K: NBR 16149, NBR 16150, IEC 62116)	
	Safety / EMC standard	IEC/EN 62109-1/-2, IEC/EN 61000-6-2/-4, EN 55011	
Features	Communication interface	Standard: WIFI+LAN+Bluetooth, CAN-BMS × 2, CAN-Parallel × 2, LAN, RS485-Meter, RS485, DRM, DI × 5, DO × 4; Optional: 4G	

Technical Data

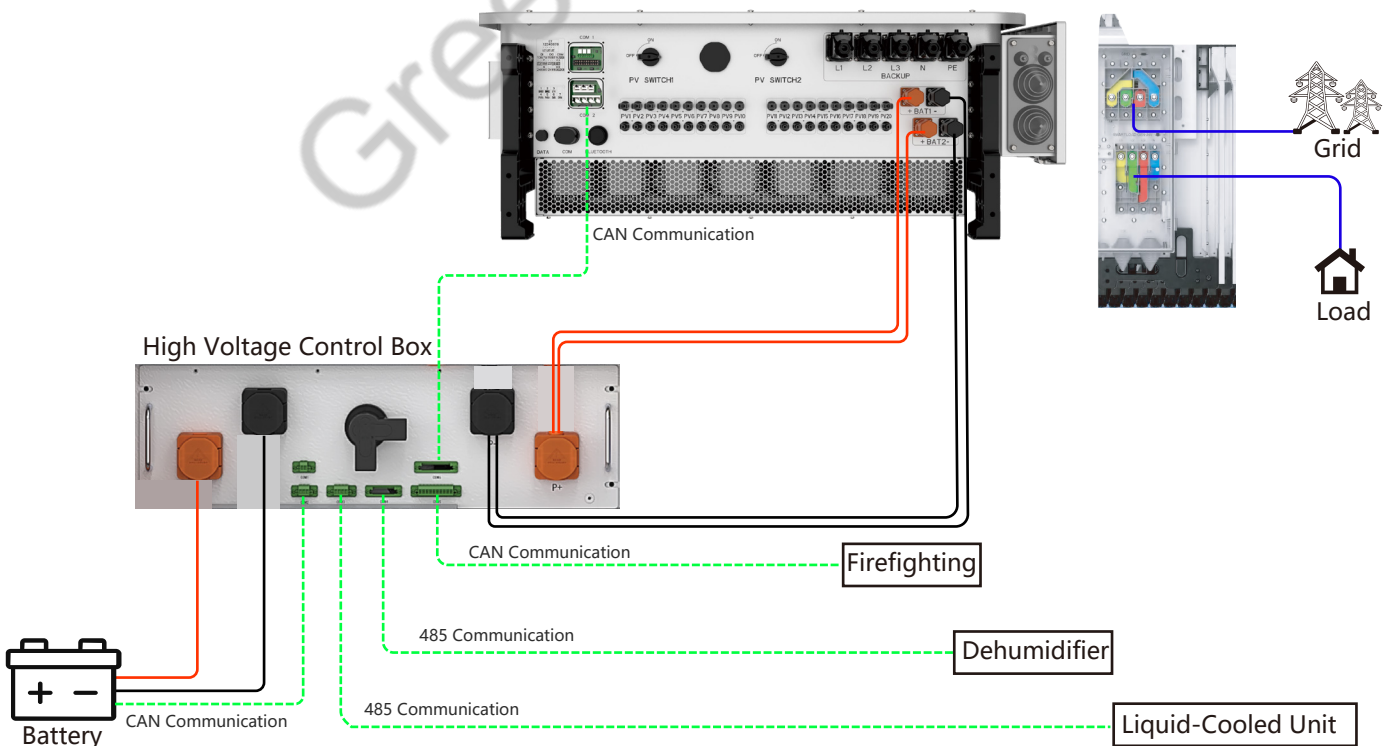
Battery Side	
Battery Type	LFP(LiFeP04)
Nominal Energy	261kWh
Rated Voltage	832V
Operating Voltage Range	728~949V
Rated Capacity(Ah)	314Ah
Max Charge/Discharge Current (A)	157A
Battery Module	166.4V 314Ah(52.25kWh)
Battery Module Qty In Series (Optional)	5
Cooling System	Liquid Cooling
System Parameter	
Cabinet Size(W*D*H)	1580*1544*2410mm
Weight Approximate	≤3T
Installation Location	Floor-mounted
Protection Class	IP54
Altitude (m)	≤3000
Humidity	5%-95%
Fire Extinguishing	Aerosol
Dehumidifier	Included
Fire Detector	Included
Max.parallel No.	10
Cycle Life	25±2°C, 0.5C/0.5C, EOL70% ≥8000
Certification	CE MSDS UN38.3
Warranty	10Years

Greensun Solar

Detailed Description



Control diagram



Product Expansion

Support Max 10pcs Parallel Power



Hybrid Inverter Real-time Equipment Monitoring

